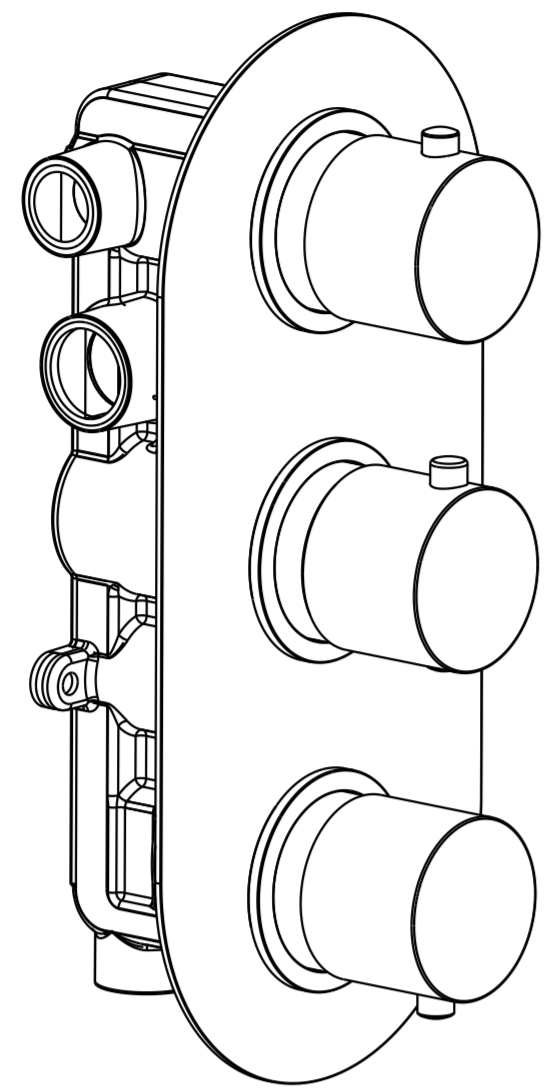


148 mm

210 mm

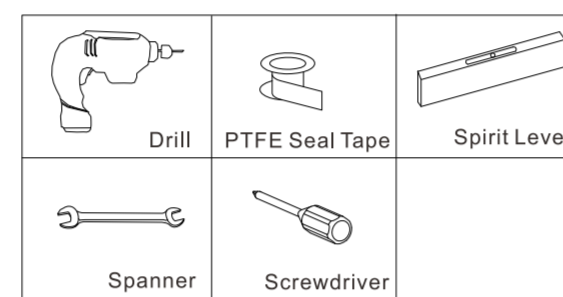
**CONCEALED THERMOSTATIC SHOWER MIXER VALVE
INSTALLATION & MAINTENANCE INSTRUCTIONS**



READ BEFORE INSTALLATION

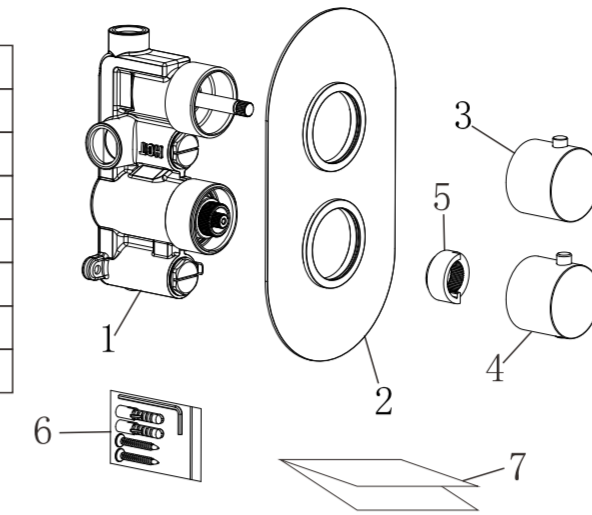
1. Before installation begins please check contents of completeness according to the list below. If any missing or defect, please contact with the seller immediately.
2. The main part of the product has been tested and debugged by the factory, please do not disassemble by yourself, so as not to affect the performance.
3. We recommend that the product is installed by a qualified plumber. Hot and cold water pipes must comply with the valve markings, left HOT & right COLD. Otherwise, product cannot operate effectively.
4. Before installation begins please check for pipework, it is good practice to flush pipework for a few minutes before installing valve to minimise the chances of debris blocking damaging the valve.
5. Water pressure requirement: 0.5-5.0BAR (0.05-0.5MPa).
Water temperature recommended:
Cold supply: MAX25°C Hot supply: 55-65°C
6. This product is suitable for all plumbing systems, preferably balanced. Max. supply pressure differential requirement is 5:1, hot or cold pressure must be reduced or boosted so as to work within the required range.
7. When the product is used in the environment of less than 4°C, pay attention to prevent the product from freezing and cracking.

Tools Required (Not supplied)

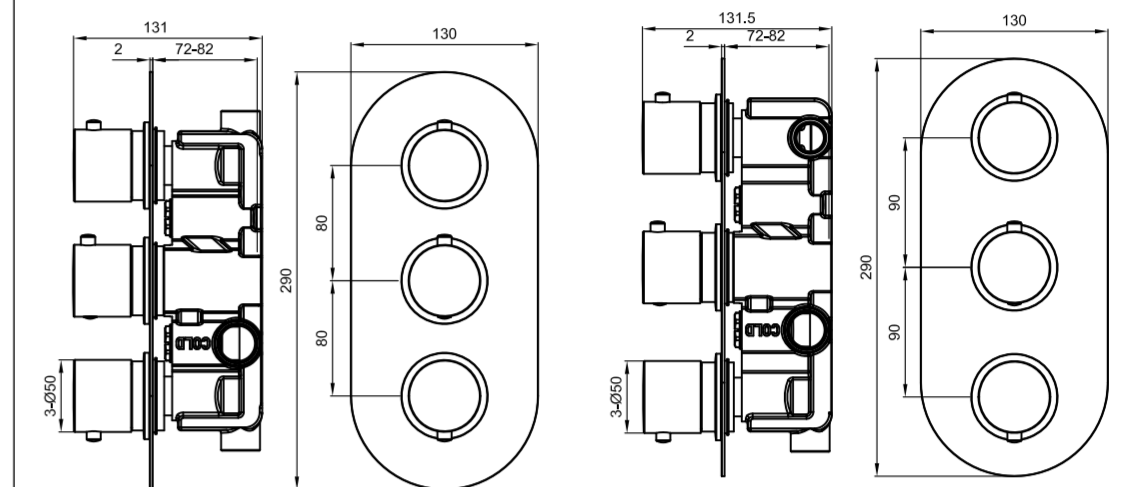
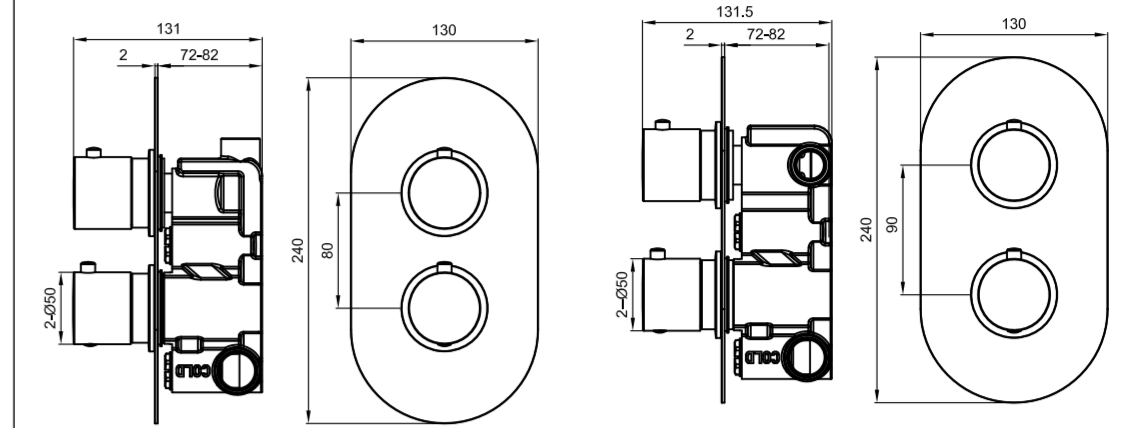


PARTS LIST

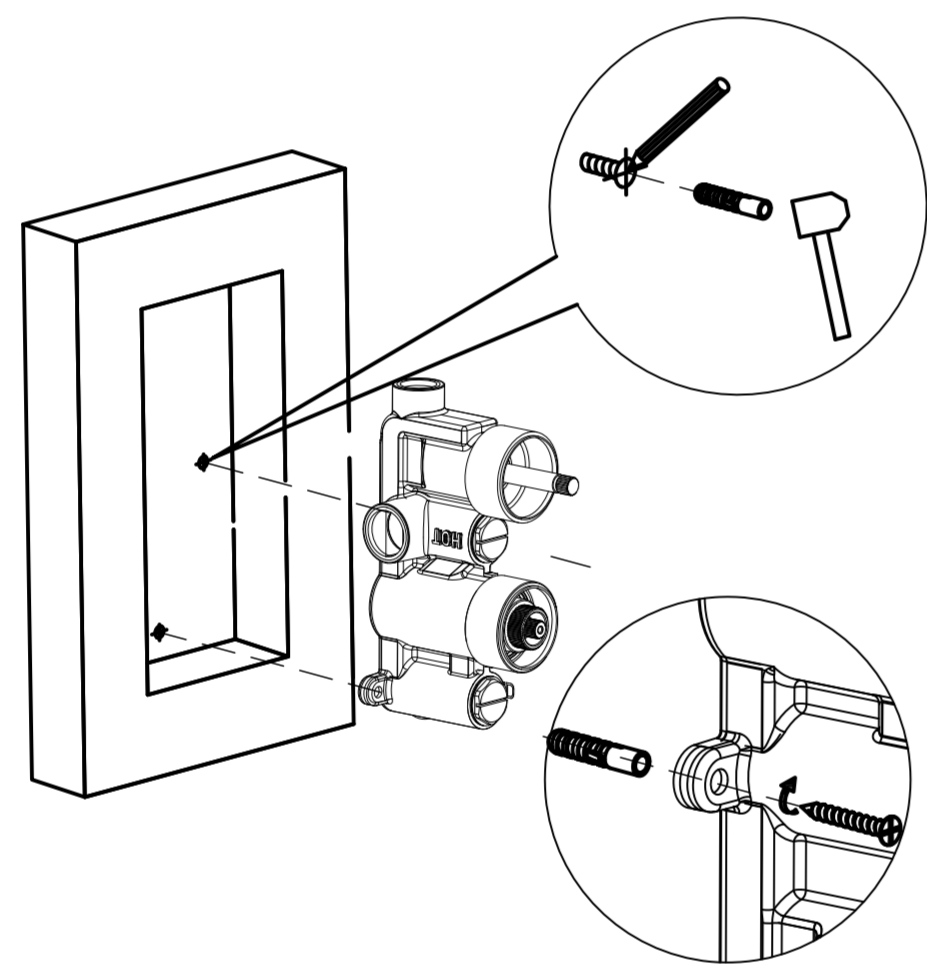
ITEM	PARTS
1	Valve Body
2	Cover Plate
3	Flow Handle
4	Thermo Handle
5	Thermo Stop Ring
6	Fixing Kit Bag
7	Instruction Sheet



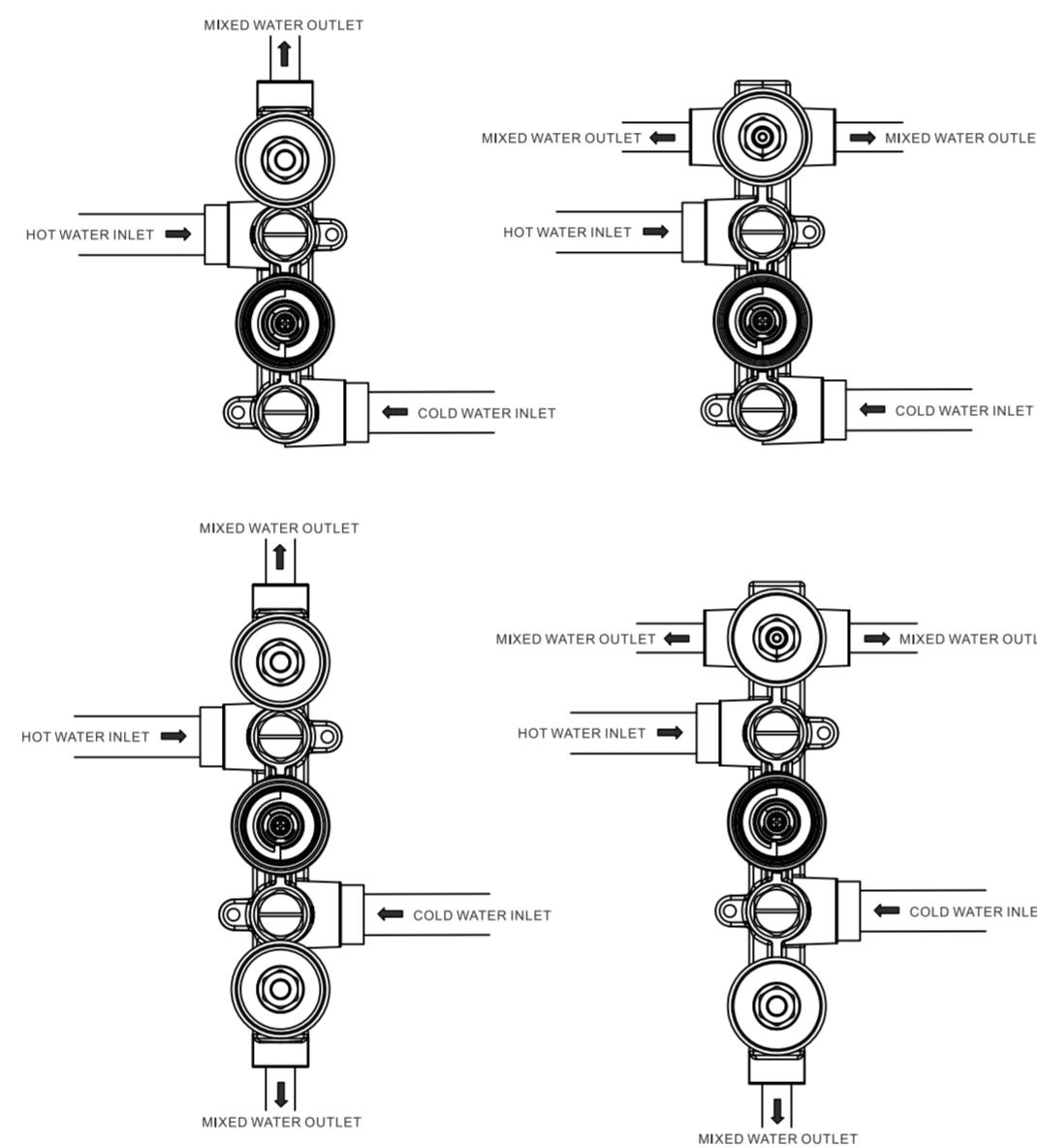
DRAWING



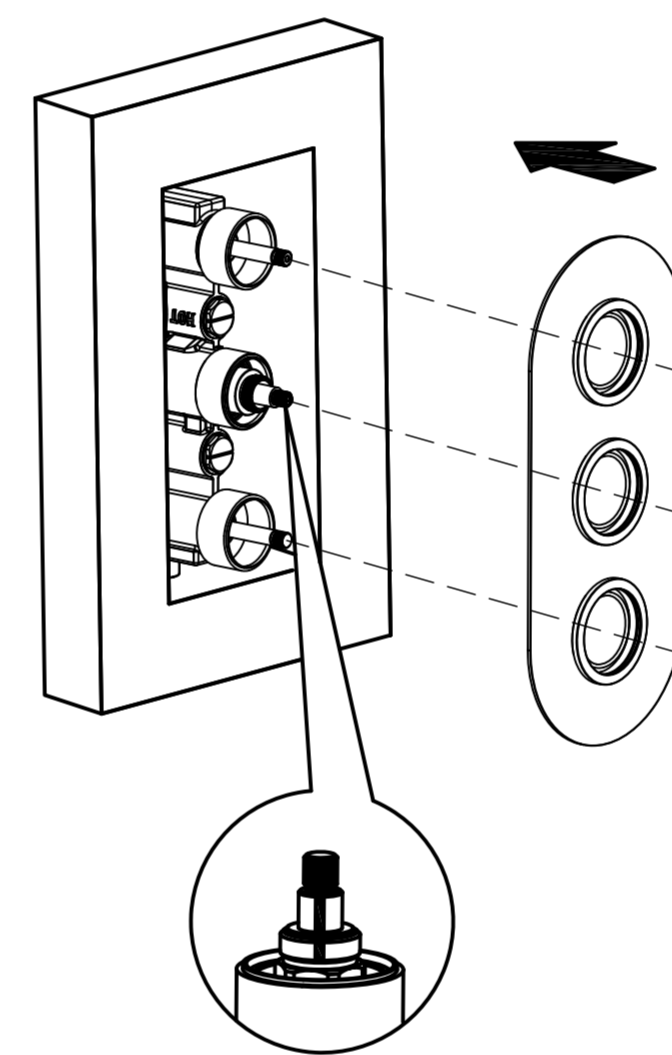
STEPS



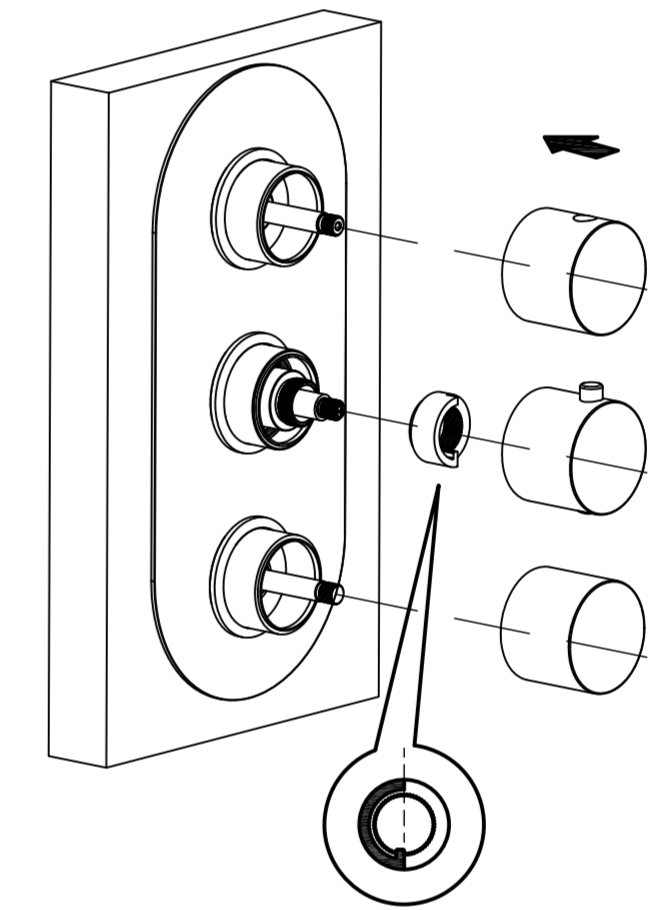
1. Determine the mounting position for the valve, refer to installation dimension drawings, reserve the recess in the wall in which to mount the valve, the depth of the recess should be min 72mm, max 82mm. Fix the valve with tapping screws and wall plugs.



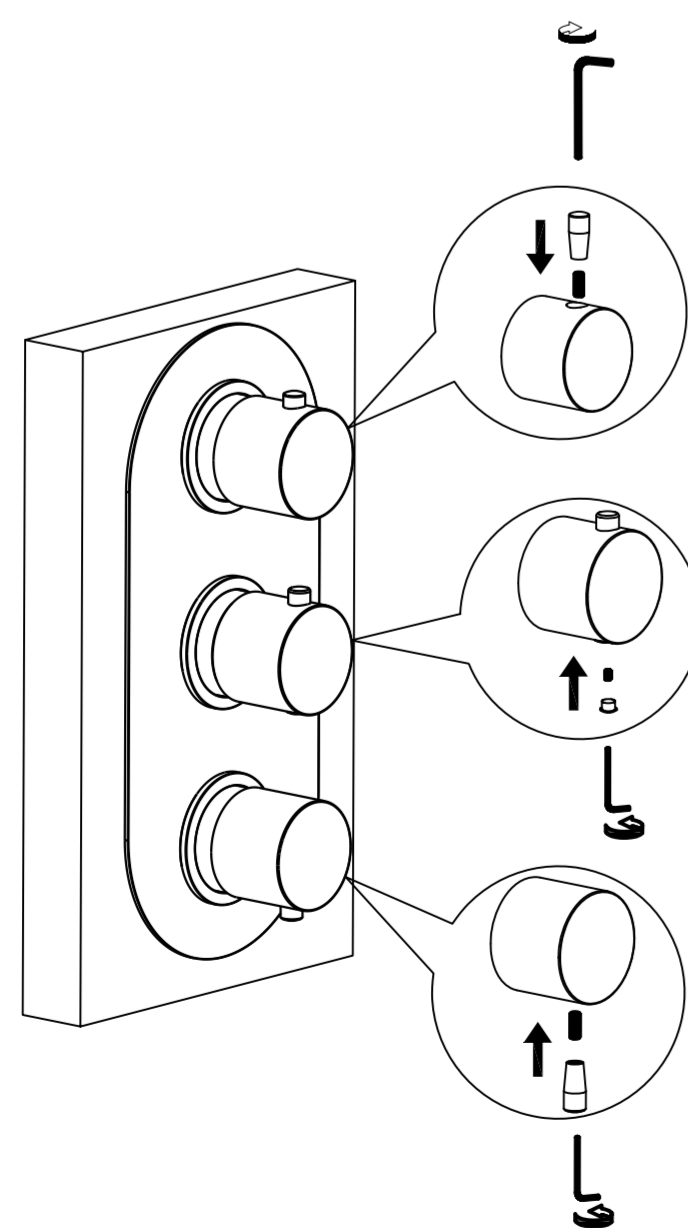
2. Connect the valve with the hot and cold water pipes (cold and hot water shall not be connected to the opposite, otherwise, it cannot be operated correctly), connect the mixed water outlets to the shower head, handset, or spray head, and check whether the joints are leaking.



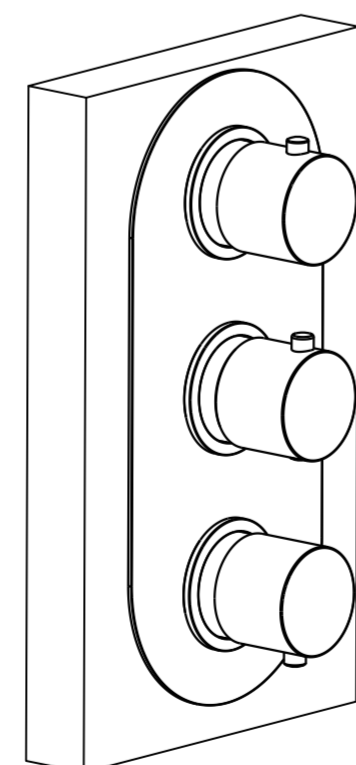
3. Check if the marking line of the thermostatic cartridge are aligned, and then put on the cover plate.



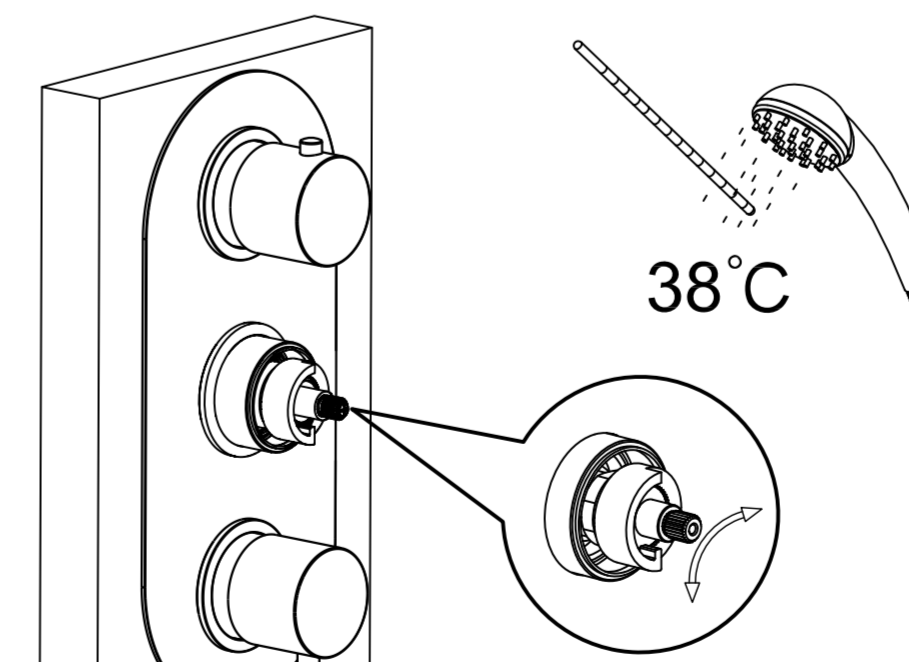
4. Install the thermo stop-ring, thermo handle, flow handle.



5. Tighten all the handle grub screws with Allen key.



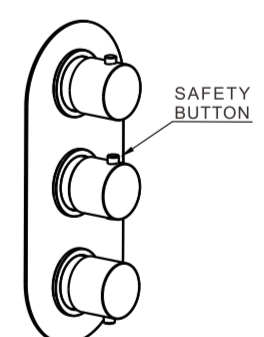
6. Check if the valve is functioning normally.



7. If there is a large deviation of the outlet water temperature from the default 38°C (deviation of $\pm 2^\circ\text{C}$ is the normal range), remove the thermo handle, fine-tune the handle left and right to adjust the water temperature to $38\pm 2^\circ\text{C}$, and then reinstall the thermo handle.

INSTRUCTION

Turn the flow handle to control the on/off switch and adjust the flow rate, diverter handle to control the outlet. Turn the thermo handle to adjust the water temperature, clockwise to reduce the temperature, anticlockwise to increase the temperature. When turning to the middle position of 38°C, you need to press the safety button to turn to the high temperature direction. Mixed outlet water temperature will automatically return to the temperature set previously when the valve is used next time.



**MAINTENANCE/CARE and CLEANING
Maintenance and Cleaning Instructions**

When the shower does not regulate the water temperature as it should or the flow is reduced, press down the safety button on the thermo handle, apply a small force to the thermo handle to turn it to the hottest setting and then the coldest setting for a few seconds. This will flush out any debris or limescale lodged inside the cartridge. Repeat the operation to recover the function of the thermostatic cartridge.

The finishes of our products are durable. To keep our products in good condition, the end users are required to regularly maintain and clean all the surfaces based on the following guidelines:

- Warm water or mild soapy water should be used to remove system debris and limescale.
- After cleaning, all soapy water should be removed by water and polished with a clean, soft and dry cloth.
- No abrasive cleaning agents or materials should be used.
- No corrosive cleaning agents should be used, which will cause corrosion.
- More care should be taken in hard-water areas to ensure all the surfaces are regularly cleaned.
- After using volatile detergents to rinse the bathroom, please clean the shower adequately with water, in case the detergents react with the shower surface and cause corrosion of the surface.
- Failure to do so will invalidate the product warranty.

Care Instructions

Please be careful when installing, using, cleaning and maintaining this product. Any defects or damages like peeling problem at this product due to the following reasons is not covered by the product warranty:

- incorrect installation,
- accidental or willful misuse,
- inappropriate cleaning products,
- inadequate maintenance,
- chemical damage caused by system debris and build-up of limescale (any soapy water left on the surface of the product and not cleaned regular will affect the finish of the product.)
- physical damages like scratches,
- damage caused during repair work,
- water quality i.e. rusting water from the pipework need to be fully flushed out after use or water pressure issues.

Maintenance/ Care and Cleaning Instruction

Maintenance and Cleaning Instructions

The finishes of our products are durable. To keep our products in good condition, the end users are required to regularly maintain and clean all the surfaces based on the following guidelines:

- Warm water or mild soapy water should be used to remove system debris and limescale.
- After cleaning, all soapy water should be removed by water and polished with a clean, soft and dry cloth.
- No abrasive cleaning agents or materials should be used.
- No corrosive cleaning agents should be used, which will cause corrosion.
- More care should be taken in hard-water areas to ensure all the surfaces are regularly cleaned.
- Failure to do so will invalidate the product warranty.

Care Instructions

Please be careful when installing, using, cleaning and maintaining this product. Any defects or damages like peeling problem at this product due to the following reasons is not covered by the product warranty:

- incorrect installation.
- accidental or wilful misuse.
- inappropriate cleaning products.
- inadequate maintenance.
- chemical damage caused by system debris and build-up of limescale (any soapy water left on the surface of the product and not cleaned regular will affect the finish of the product.)
- physical damages like scratches.
- damage caused during repair work.
- water quality i.e. rusting water from the pipework need to be fully flushed out after use or water pressure issues.